



Thai Kyowa Kako Co.,Ltd.
Waste Gas Treatment System Design and Manufacturing

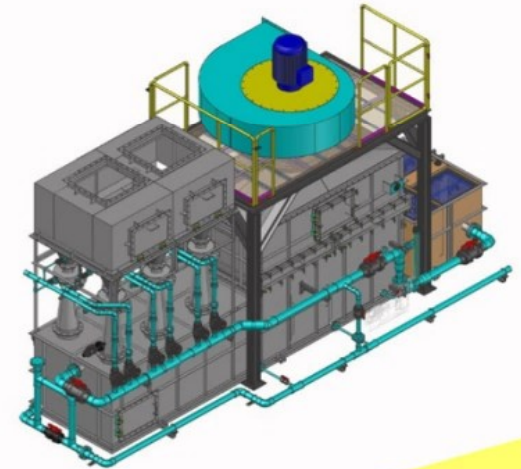
Venturi Scrubber(Mist and Dust removal)



Carbon Tower(Odor removal)



Painting Mist and Dust Removal Equipment Venturi Scrubber



Contact us



www.kyowa.co.th

1/17 Moo 5 TFD Industrial Estate

Tambol Tha-Sa-An Amphur Bang Pakong

Chachoengsao 24130 Thailand

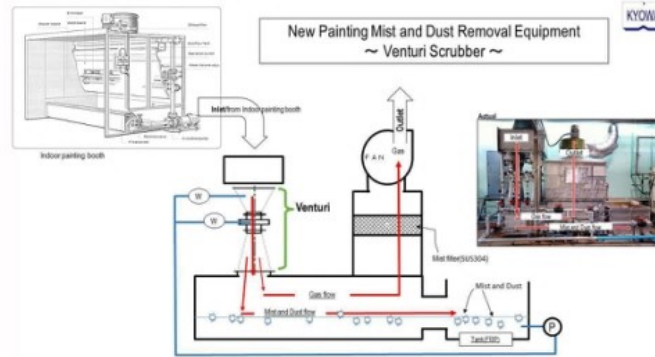
Tel : 66(0)90 678 0150-3 Fax : 66(0)38 577 564

【Painting Mist and Dust problem】

- Cannot be removed at the painting booth, mist and dust are released outside.
- Cannot capture paint solids.
- When it uses to special paint, painting mist and dust are not completely removed by primary dust collection



Painting mist and dust discharged outside may adhere to external vehicles depending on the wind direction, the phenomenon of sticking to the roof of a private house occurs. These will be claims.



【Improvement】

- Can be removed mist and dust just by circulating water
- In the venturi area, can be collected mist and dust with water in the equipment, creates a flow in which accumulates mist and dust in the tank and does not go outside
- Floating the sludge in the tank by adding chemicals, easy cleaning and easy Maintenance
- Required space smaller than traditional Equipment
- The painting booth can also control power during operation and saving energy by using FAN inverter

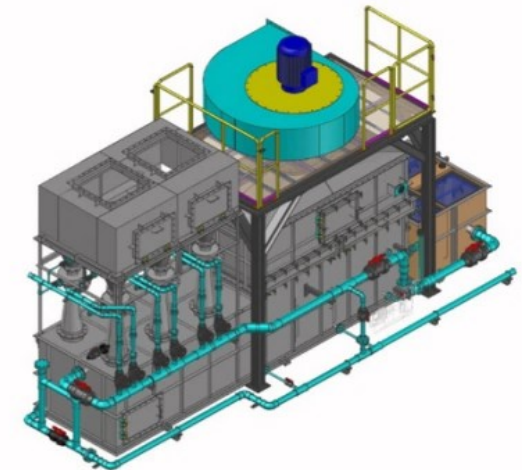


- Possible to remove painting mist and dust released outside
- Contributes to trouble prevention by improving the environment

【 Example of Installation】

【 Venturi Scrubber Specification】

Description	200 CMM	400 CMM
Tank Capacity	2.365 m ³	4.125 m ³
Length (L)	4,600 mm	7,800 mm
Width (W)	1,400 mm	1,400 mm
Height (H)	2,600 mm	2,600 mm
Exhaust fan Capacity	200 m ³ /min x 300 mmH ₂ O	400 m ³ /min x 300 mmH ₂ O
Liquid supply for Venturi column	300 L /min	600 L /min
Mist filter material	SUS304	SUS304
Mist filter 's size	1400mm(W) x 1750mm(L) x 48mm(H)	1400mm(W) x 3500mm(L) x 48mm(H)
Fan motor	18.5kW x 380V x 50Hz	37kW x 380V x 50Hz
Pump capacity	400L/min x 15mH	700L/min x 15mH
Venturi scrubber Pressure drop	180 mmH ₂ O	180 mmH ₂ O
Weight (running)	5,350 kg	9,900 kg



Traditional Painting Mist and Dust Removal Equipment

